

Figure 6.1: It is important to create a fire stop between rooms following local building codes.

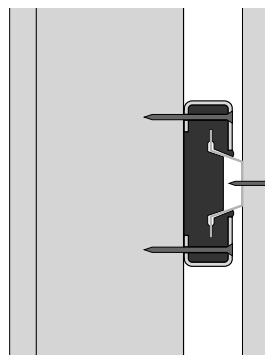


Figure 6.2: Install Clips with two fasteners following local building codes.

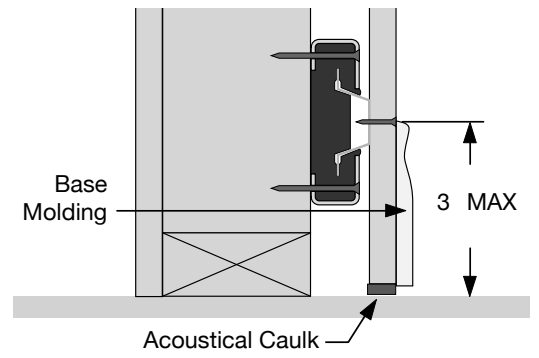


Figure 6.3: Base board or any other wall attachments must not touch the floor.



WALL ASSEMBLY₂

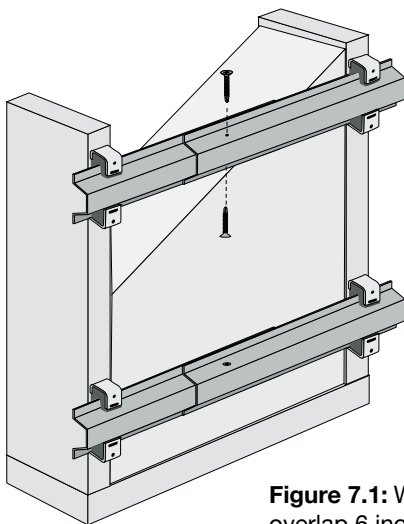
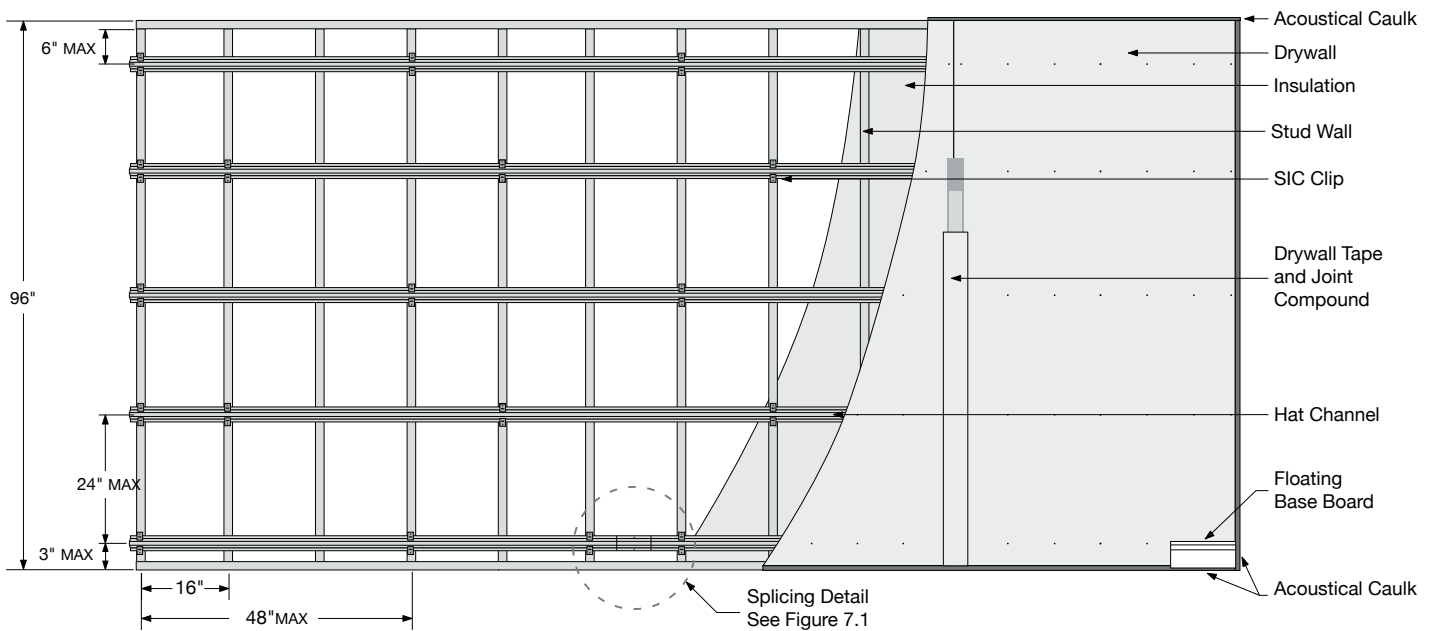
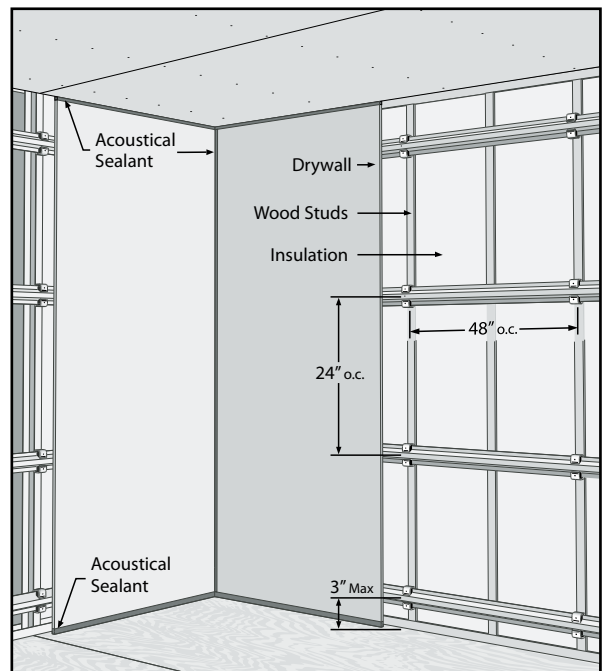


Figure 7.1: When splicing hat channel, overlap 6 inches in between two SIC Clips. Secure the channel with two 7/16 framing screws or 18 gauge tie-wire can be used.





CEILING ASSEMBLY

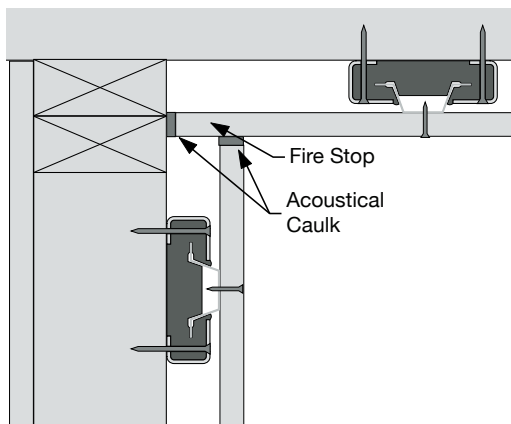
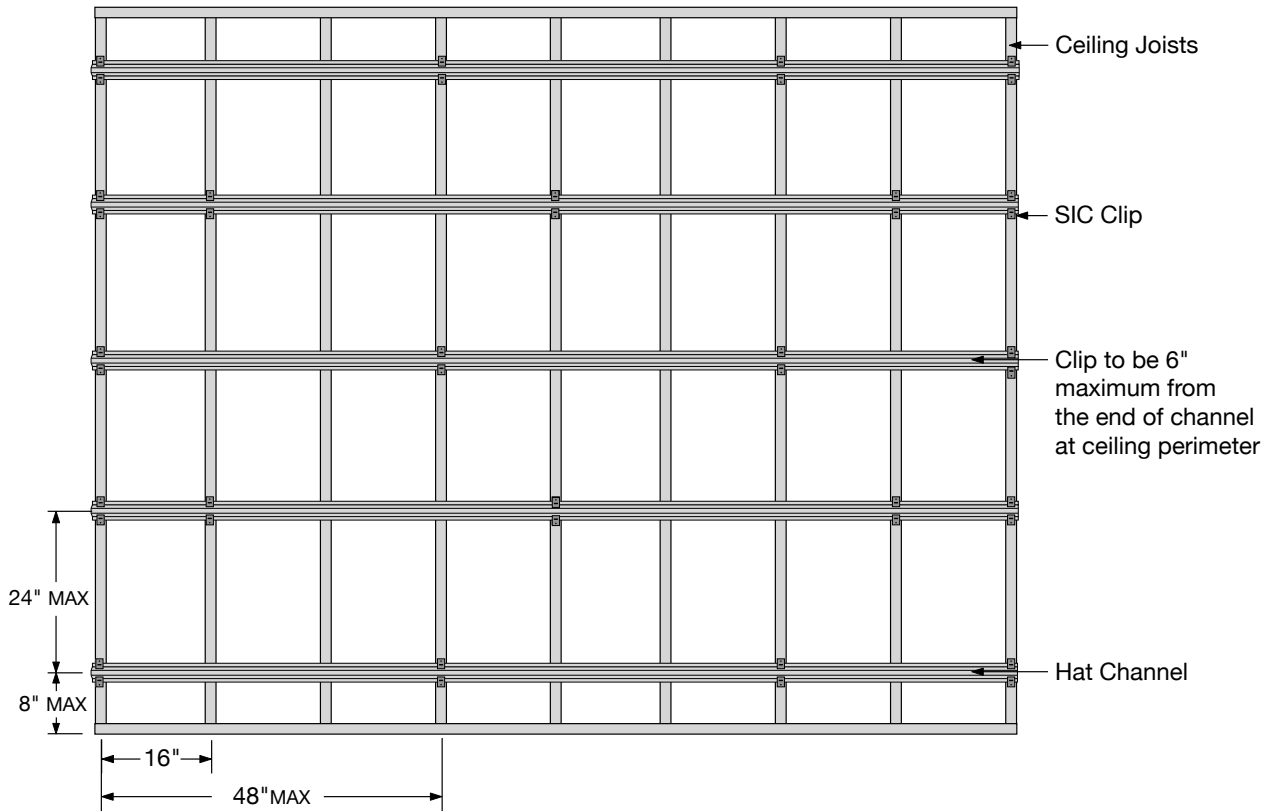
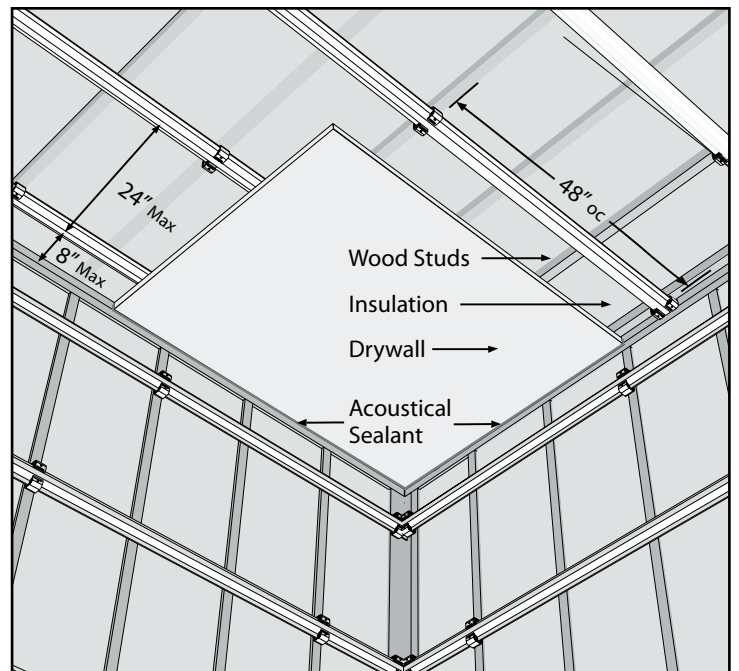


Figure 8.1: It is important to create a fire stop between rooms following local building codes.





CORNER AND WALL INTERSECTION

